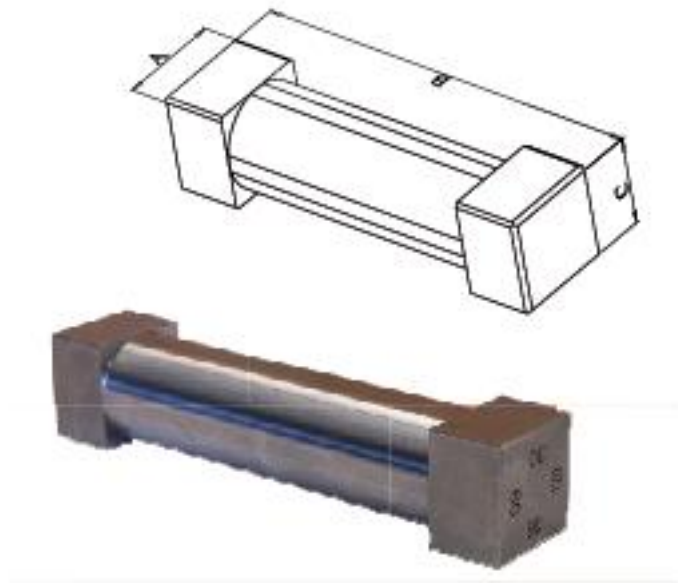




**P-Lab Instrument for Laboratory
Four Side Applicator**



This applicator has the advantage of combining ease of use with 4 gap sizes in one unit. For best results it should only be used on solid substrates which are smooth. By simple rotating the applicator through 90° the next gap is placed onto the test surface.

Available in two film widths as standard : 60 or 80 mm and available request.

All manufactured from SPECIAL STAINLESS STEEL

Film width (mm)	Model	Gap Size (micron)	A Width (mm)	B Length (mm)	C Height (mm)	Weight (kg)
60	400/60/1	30/60/90/120	23	130	23	0.30
	400/60/2	50/100/150/200	23	130	23	0.30
	400/60/3	75/100/150/200	23	130	23	0.30
	400/60/4	50/100/200/250	23	130	23	0.30
	400/60/A	Max. 300	23	130	23	0.30
80	400/80/1	30/60/90/120	23	130	23	0.36
	400/80/2	50/100/150/200	23	130	23	0.36
	400/80/3	75/100/150/200	23	130	23	0.36
	400/80/4	50/100/200/250	23	130	23	0.36
	400/80/A	Max. 300	23	130	23	0.36

Can be used in accordance with : BS3900 D5/ISO 2813, ASTM D3258, D3265, D823

P.General Products : 234 Moo.5, Prakasa Road. , Prakasa, Muang, Samutprakarn 10280 Thailand.

Tel: (662) 728-5246-8 Fax: (662) 728-5249

E-mail: info@p-general.com